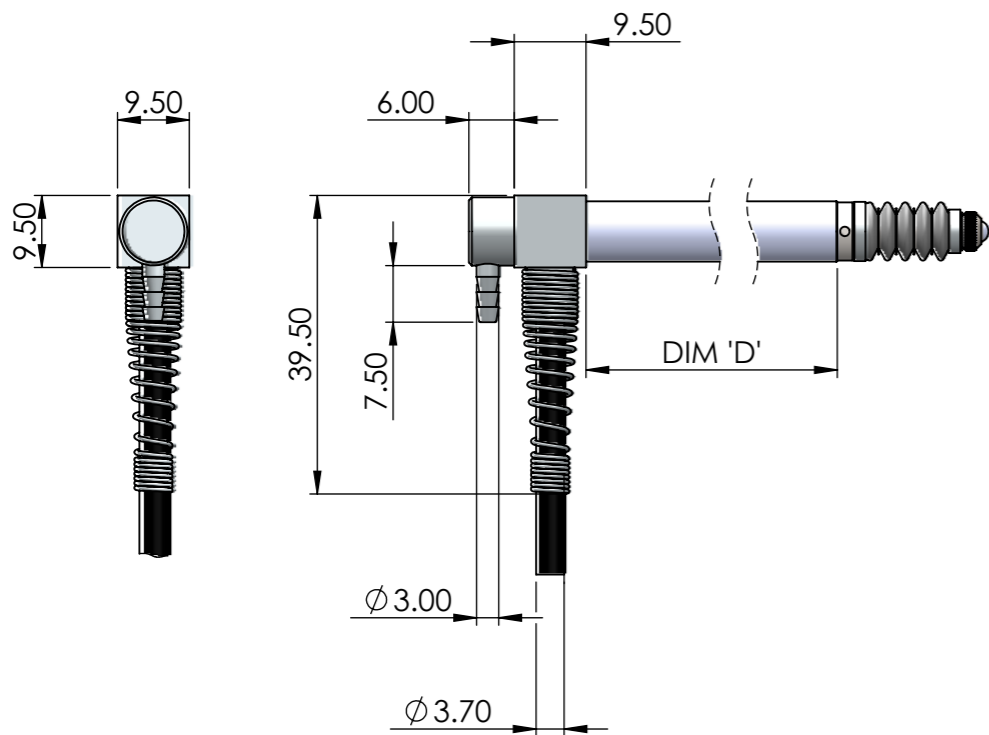
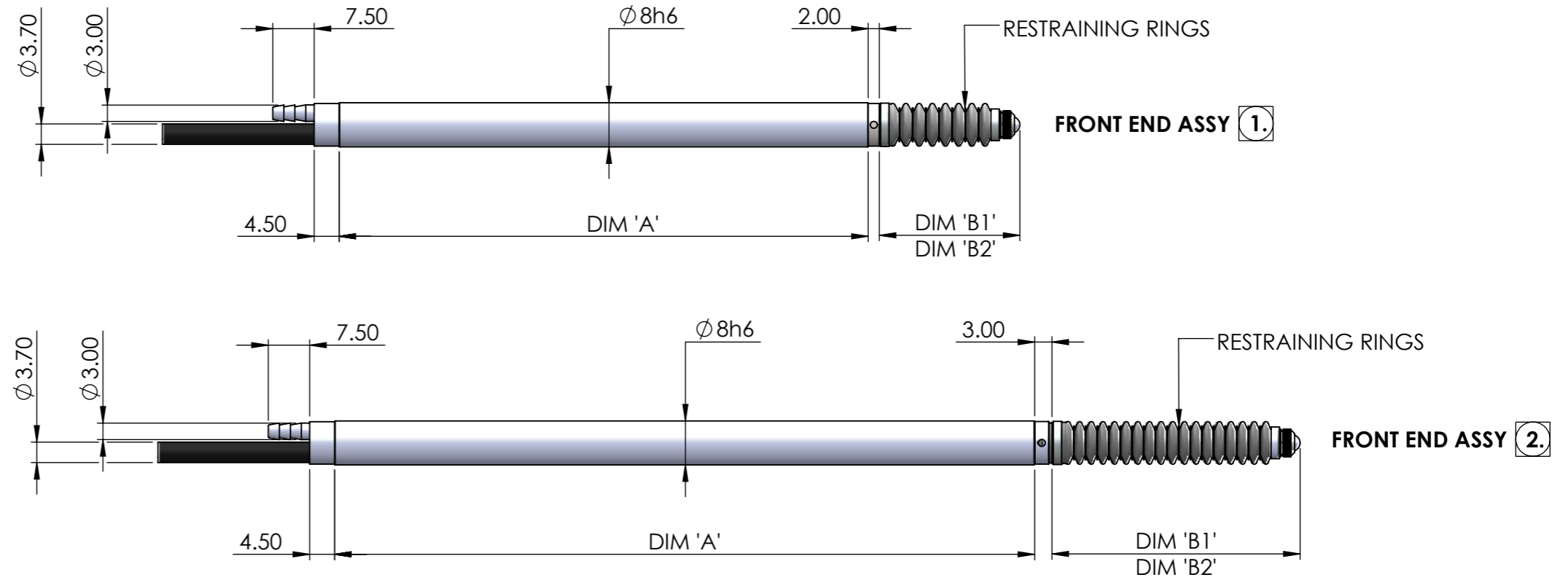


3D MODEL GUIDE		
RANGE	DP PNEUMATIC PUSH	
	AXIAL	R/A
2mm	DP2P	DPR2P
5mm	DP5P	DPR5P
10mm	DP10P	DPR10P
10/2mm	DP10-2P	DPR10-2P
12mm	DP12P	DPR12P
20mm	DP20P	DPR20P



RADIAL CABLE OUTLET OPTION 'R/A'

MEASUREMENT RANGE	2mm	5mm	10mm	10/2mm	12mm	20mm
CASE LENGTH AXIAL DIM 'A'	52.50	71.00	96.00	84.00	127.00	127.00
CASE LENGTH R/A DIM 'D'	38.50	57.50	82.50	70.50	113.50	113.50
FULLY EXTENDED DIM 'B1'	14.25	18.00	25.50	25.50	28.50	45.00
PRE-TRAVEL	0.15	0.15	0.15	0.15	0.15	0.15
POST-TRAVEL	0.85	0.85	0.85	8.85	0.85	0.85
FULLY RETRACTED DIM 'B2'	11.25	12.00	14.50	14.50	15.50	24.00
FRONT END ASSY	1.	1.	1.	1.	1.	2.



STEYNING WAY • BOGNOR REGIS • SUSSEX • ENGLAND • PO22 9ST

DRAWING NUMBER

540002-245

TITLE

DP/P  
DIGITAL STANDARD PNEUMATIC PUSH

E.D.C.R.

21595

ISSUE

2